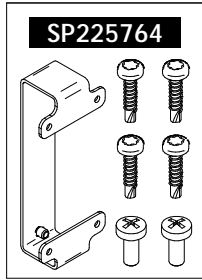
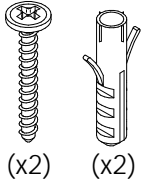


# Installation guide

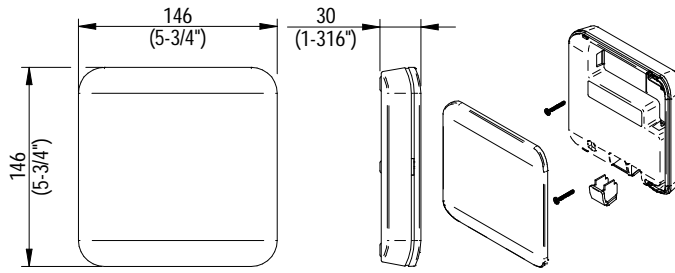
## IQ2.0

**SALTO**  
inspiredaccess

- (Eng) Installation guide
- (E) Guía de instalación
- (D) Montageanleitung
- (F) Guide d'installation
- (P) Guia de instalação



Not included/ No incluido  
Nicht enthalten  
Non inclus / Não incluso



(Eng) Installation (E) Instalación (D) Installation (F) Installation (P) Instalação

**1**

**a** ETHERNET + CELLULAR MODEL

**b** ETHERNET + WIFI MODEL

**c** ETHERNET + POE MODEL

**d** ETHERNET MODEL

(\*)Not included/ No incluido/ Nicht enthalten/ Non inclus/ Não incluso

**a** ETHERNET + CELLULAR MODEL

**2-a**

Plug  
Conectar  
Verbinden  
Branchez  
Conectar

**3-a**

Plug  
Conectar  
Verbinden  
Branchez  
Conectar

**4-a**

Plug  
Conectar  
Verbinden  
Branchez  
Conectar

**b** ETHERNET + WIFI MODEL

**2-b**

Plug  
Conectar  
Verbinden  
Branchez  
Conectar

**3-b**

Plug  
Conectar  
Verbinden  
Branchez  
Conectar

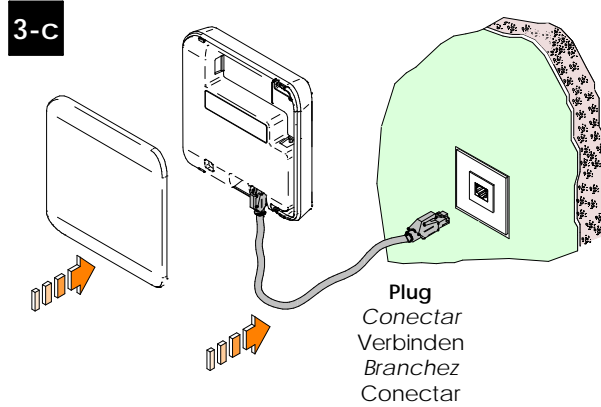
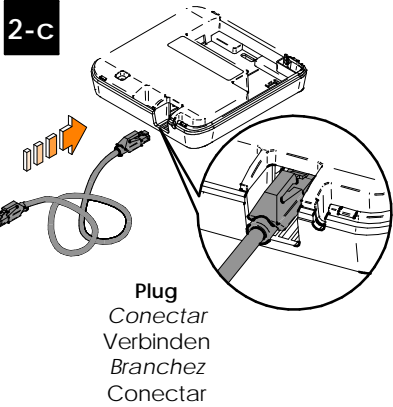
**4-b**

Plug  
Conectar  
Verbinden  
Branchez  
Conectar

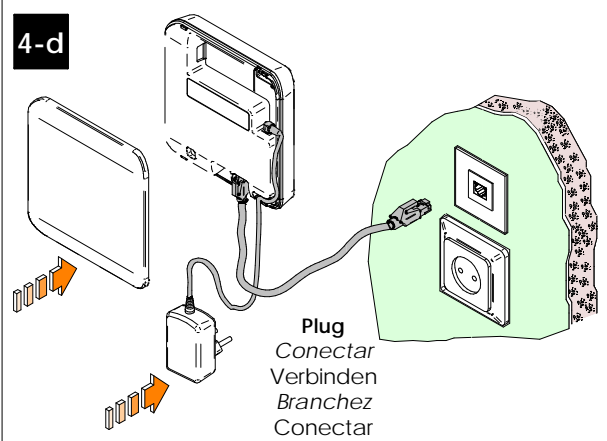
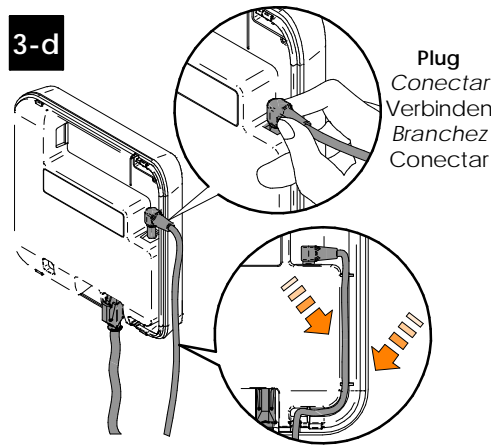
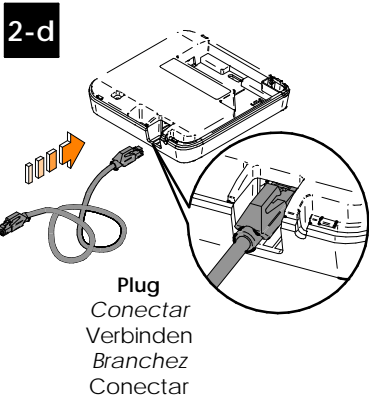
# Installation guide

## IQ2.0

### c ETHERNET + POE MODEL

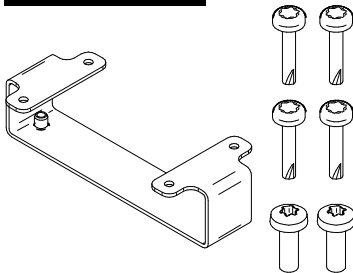


### d ETHERNET MODEL



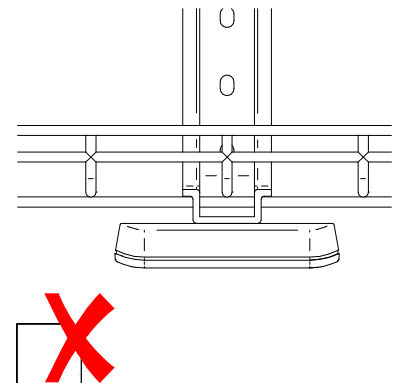
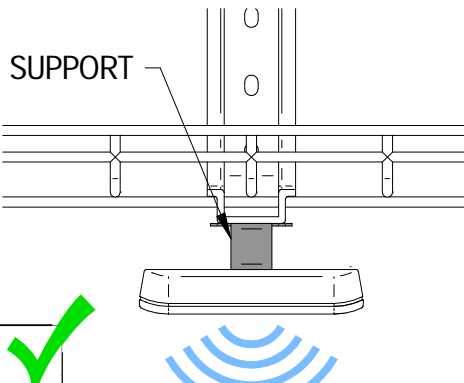
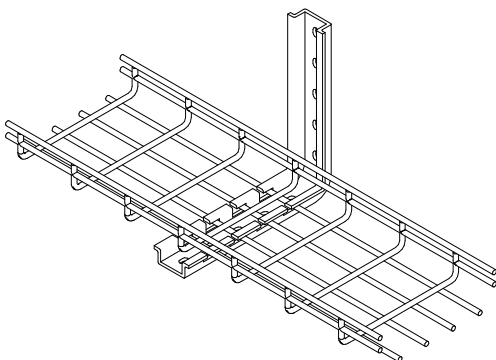
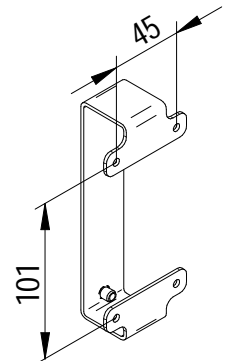
## IQ 2.0 SUPPORT

**SP225764**



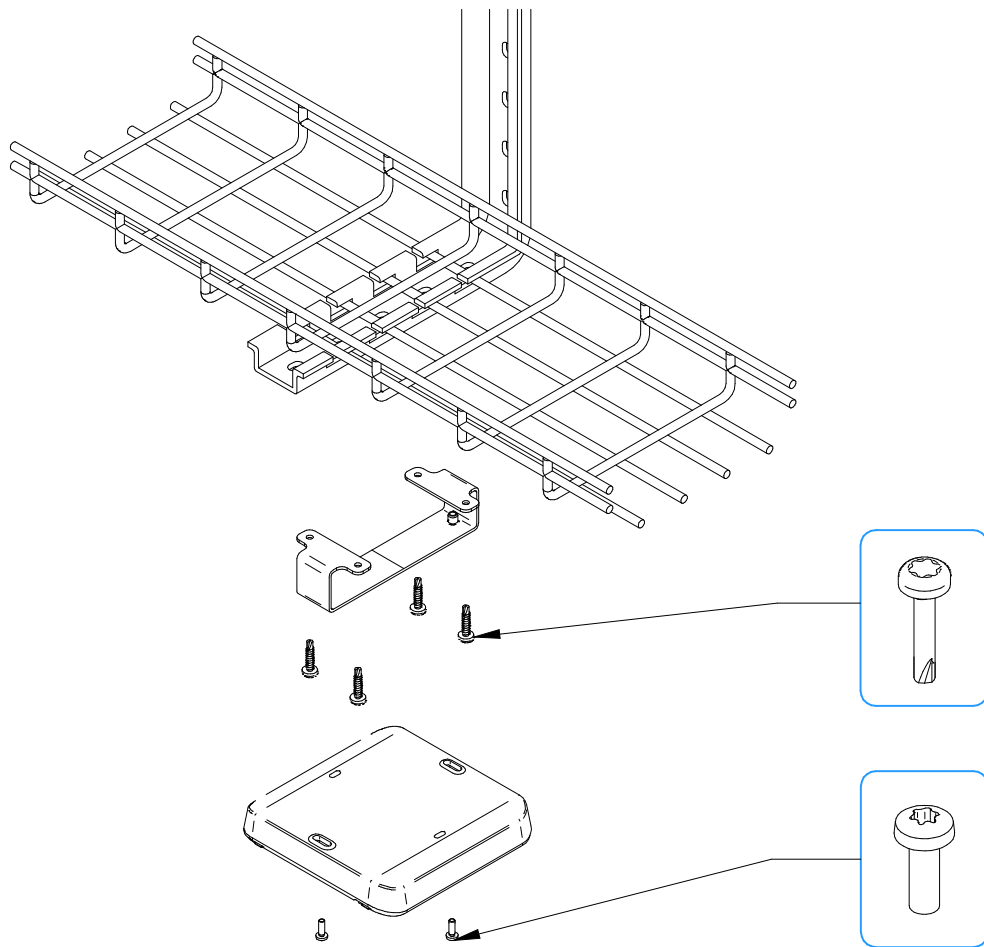
**For installations on metal surfaces**  
 Para instalaciones sobre superficies metálicas  
 Für die Montage auf Metalloberflächen  
 Pour installations sur des surfaces métalliques  
 Para instalações em superfícies metálicas

**Not included / No incluido / Nicht enthalten / Non inclus / Não incluso**



**IQ 2.0**

1



### Eng Electrical features

- E Características eléctricas
- D Elektrische espezifikationen
- F Caracteristiques electriques
- P Características eléctricas

#### OPERATION CONDITIONS

	Min	Max	Unit
Temperature	0	40	°C

#### 2.4 Ghz RF CHARACTERISTICS

Frequency Range	2405-2480 Mhz (ISM band)
RF Standard	IEEE 802.15.4
Indoor Radio Range	7m*

(\* ) Depending upon installed environment.

#### POWER SUPPLY CHARACTERISTICS

(To be fed only by an official SALTO Power Supply adapter)

		Unit
Input Voltage	12	V
Max Current	800	mA

#### OTHER CHARACTERISTICS:

<b>WIFI</b>
IEEE 802.11 b/g/n radio

<b>BLUEnet</b>
Bluetooth 4.2 Compliant
Integrated antenna
TX power: up to +8dBm
RX sensitivity: down to -92dBm
Indoor range: 5m-10m*

(\* ) Depending upon installed environment.  
(PoE + WIFI variant might suffer range reduction of up to 30%).

<b>POE</b>
The POE connection complies to IEEE 802.3af (max 15.40W, also known as 802.3a Type 1)

To ensure a correct operation, do not install the device near a metallic surface.

Para asegurar un correcto funcionamiento, no instalar el dispositivo cerca de una superficie metálica.

Um einen einwandfreien Betrieb zu gewährleisten, installieren Sie das Gerät dann nicht in der Nähe von einer metallischen Oberfläche.

Pour assurer un fonctionnement correct, n'installez pas l'appareil près d'une surface métallique.

Para assegurar o funcionamento adequado, não instale o aparelho perto de uma superfície de metal



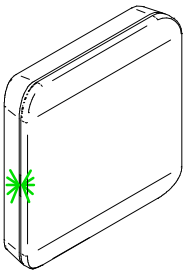
# LED Signals

## IQ2.0

Eng BLUEnet information E Información BLUEnet D BLUEnet information F P

- Eng The environment has a direct impact on the BLUEnet range radiation (metal, concrete walls...)  
The receiver device must be located facing the product antenna. Please check your product's BLUEnet antenna position.  
Recommended connectivity distance: 5m - 10m
- E El entorno tiene un impacto directo sobre el rango de radiación de BLUEnet (metal, paredes de hormigón...)  
El dispositivo receptor debe ubicarse frente a la antena del producto. Compruebe la posición de la antena BLUEnet de su dispositivo.  
Distancia de conectividad recomendada: 5m - 10m
- D Die Umgebung hat einen direkten Einfluss auf die Reichweite der BLUEnet Funkvernetzung (z.B. Metall, Betonwände etc.).  
Das Empfangsgerät muss in Richtung der Produktantenne ausgerichtet sein. Bitte überprüfen Sie die Position der BLUEnet Antenne Ihres Produkts. Empfohlener Abstand: 5 bis 10 Meter.
- F L'environnement a un impact direct sur le rayonnement de la gamme BLUEnet (métal, murs en béton...)  
Le dispositif récepteur doit être placé face à l'antenne du produit. Veuillez vérifier la position de l'antenne BLUEnet du produit.  
Distance de connectivité maximale : 5m - 10m
- P O ambiente tem um impacto direto na radiação da gama BLUEnet (metal, paredes de betão...)  
O dispositivo recetor deve ser colocado de frente para a antena do produto. Por favor, verifique a posição da antena BLUEnet do seu produto. Distância de conetividade recomendada: 5m - 10m

### Eng Signalling



LED MODE	LED COLOUR	STATUS INDICATION
Blink BLUE twice		Normal Power Up
Blink long BLUE		Software reset
Blink RED GREEN BLUE		Factory reset
Blink short BLUE		IQ2.0 firmware update
Blink short GREEN (2 minutes)		Until BLE connection is established
Blink long GREEN		BLE connection is established
Blink short RED		No connection to the cloud
Blink long PURPLE		Not valid subscription found Factory Mode