

DATASHEET

inRoomNode by SALTO

SALTO's inRoomNode is a smart peripheral device that connects SALTO electronic locks to the guest room ecosystem, allowing hotel operators the capability to improve the guest experience via more efficient and "smart" hotels.

www.saltosystems.com

TECHNICAL SPECIFICATIONS: INR03ccc - inRoomNode

SALTO
inspired access



TECHNICAL DATA:

Housing dimensions (H x W x D):	35 x 42 x 8 mm
Weight:	15 g
Cover material:	PC
IP class:	Not suitable for outdoor use
Certifications:	CE, FCC/IC, RCM, IMDA, NCC

ELECTRONIC FEATURES:

Power:	12V through a compatible GRMS board.
Number of BLUEnet locks:	1
Firmware update:	Via ProAccess SPACE software though Ethernet connection
LED lamps:	Green signalling led colour to notify the status of the device
GRMS compatibility:	Interel Telkonet VDA Inncom STS-ISI

TECHNOLOGY PLATFORMS:

SALTO SPACE:

Smile - Selfprogrammable	—
ROM:	—
SVN data-on-card:	•
SALTO RFnet:	—
SALTO BLUEnet:	•

SALTO KS:

SALTO KS:	—
-----------	---

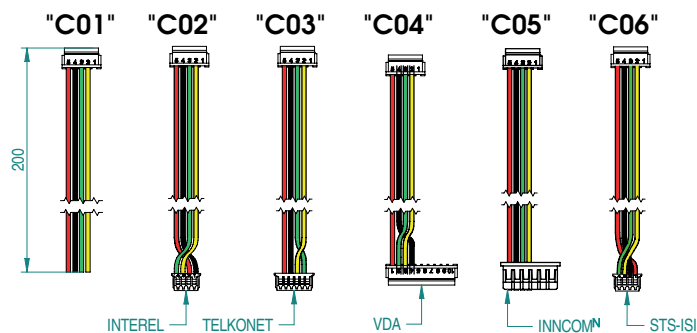
SALTO SALLIS:

SALLIS:	—
---------	---

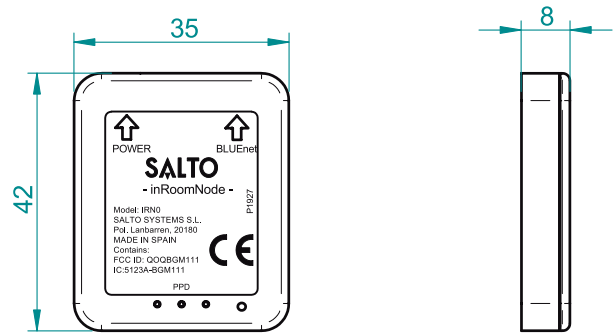
FINISHES:

Black:	•
--------	---

CABLE CONNECTOR (CCC):



TECHNICAL DRAWING:



ELECTRICAL CHARACTERISTICS:

Operations conditions:

	Min	Typ	Max	Unit
Temperature: (Without condensation)	0	25	50	°C
Humidity:	0	-	95	%

BLUEnet Characteristics (if external node installed via BUS 485):

Frequency range:	2400-2483,5 Mhz
RF standard:	Bluetooth Low Energy
Indoor radio range:	10/15m
Max output power:	8dBm

Electric characteristics:

	Symbol	Min.	Typ	Max.	Unit
Power supply	V _{IN}	3.3	-	12	V
Tx Output High Voltage Sourcing 20mA	V _{OH}	2.6	-	-	V
Tx Output Low Voltage Sinking 20mA	V _{OL}	-	-	0.7	V
Rx Input High Voltage	V _{1H}	2.3	-	5.25	V
Rx Input Low Voltage	V _{1L}	-	-	1	V

Power Consumption:

Min.	-
Max.	21 mA