

DATASHEET

XS4 ORIGINAL+ GLASS DOOR by SALTO

The XS4 Original+ product is a universal state of the art electronic escutcheon that brings the smart lock to a new technology level, combining the latest innovations in security, connectivity and design into a battery operated access control device.

www.saltosystems.com

TECHNICAL SPECIFICATIONS:

XS4 ORIGINAL+ GLASS DOOR EM6xxGD

SALTO
inspired access



TECHNICAL DATA:

Reader dimensions (H x W x D):	296,0 x 98,5 x 22,5 mm (outside) 296,0 x 113 x 2 mm (inside)
Weight	1,5 kg
Handle rotation:	52°
Distance from the handle to the cylinder	72 mm
Power source:	3 LR03 batteries (AAA size) (optional lithium FR03)
Number of openings:	40,000 - 60,000 (to be confirmed)
Maximum events on lock audit	2 000 (SVN standalone mode) 1 625 (SVN BLUEnet mode) 1 280 (SALTO KS mode)
Environmental conditions Outdoor:	-35 °C / +60 °C without condensation
Environmental conditions Indoor:	-5 °C / +50 °C without condensation (optional -35°C / +60°C)
Certifications:	CE, FCC/IC, RCM, EAC

CREDENTIAL TECHNOLOGIES:

SALTO JustIN Mobile Credentials ¹ :	•
NXP MIFARE ^{®2} :	•
HID ^{®3} :	—
LEGIC ^{®4} :	—

¹ Mobile Key Bluetooth and Near Field Communication (NFC) capability.

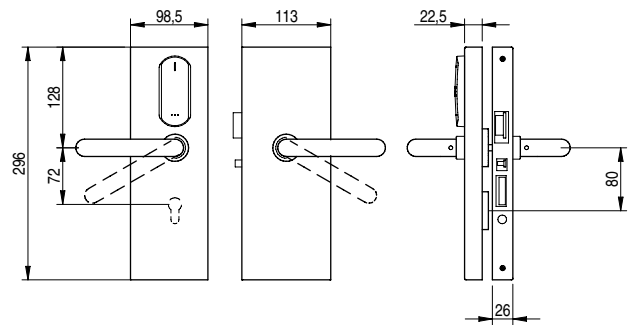
² MIFARE[®] DESFire[®] EV1/EV2/ EV3, MIFARE[®] Plus, MIFARE[®] Ultralight C, MIFARE[®] Classic.

³ iCLASS[®], Seos[®].

⁴ Legic Prime, Legic Advant.

CORE TECHNOLOGIES:

SALTO Native Bluetooth LE wireless connectivity:	•
Hardware Secure Element:	•

TECHNICAL DRAWING:**PLATFORMS:****SALTO Space:**

ROM	—
SVN data-on-card	•
Wireless (SALTO RFnet)	—
Wireless (SALTO BLUEnet)	•
SVN-Flex	•

SALTO KS:

Wireless (SALTO RFnet):	—
Wireless (SALTO BLUEnet):	•

OPTIONS:**Reader finish:**

Black:	•
White:	•

Finish:

IM Satin stainless steel:	•
IP Bright stainless steel:	—
PP PVD bright brass type:	—
PM PVD satin brass type:	—
NE Black chromium:	•
DB Dark Bronze:	—
BC BioCote anti-microbial:	—

Handles

Compatible handles*	U, L, W, H, S, B, J, T
High Transit:	•

* Not all the handles are available in all finishes.

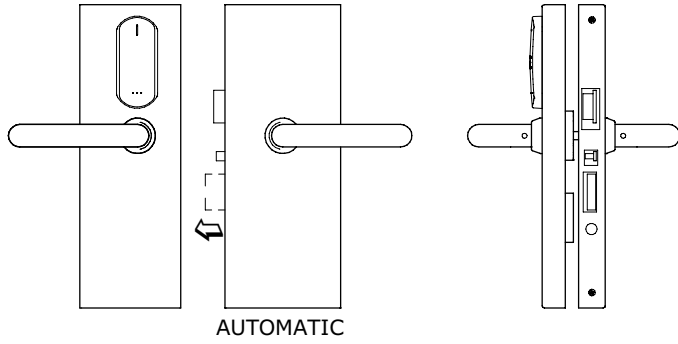
Locks:

Euro-DIN:	•
ANSI:	—
Scandinavian:	—
Cylindrical:	—
Tubular:	—

MODELS:

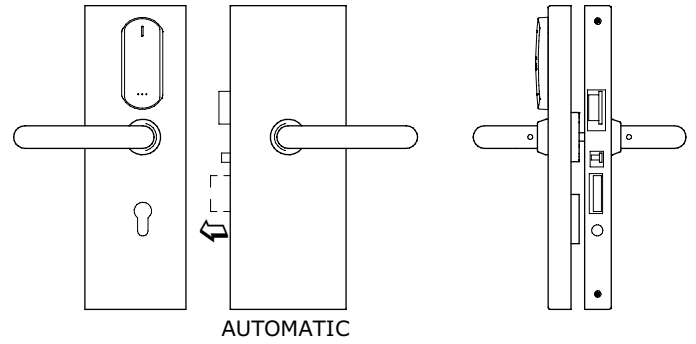
MODEL 50:

- 2 handles any type.



MODEL 54:

- 2 handles any type.
- Outside cylinder cut out.



MODEL P0:

- 2 handles any type.
- Built in mechanical override with audit.
(Euro profile cylinder 30-10).

